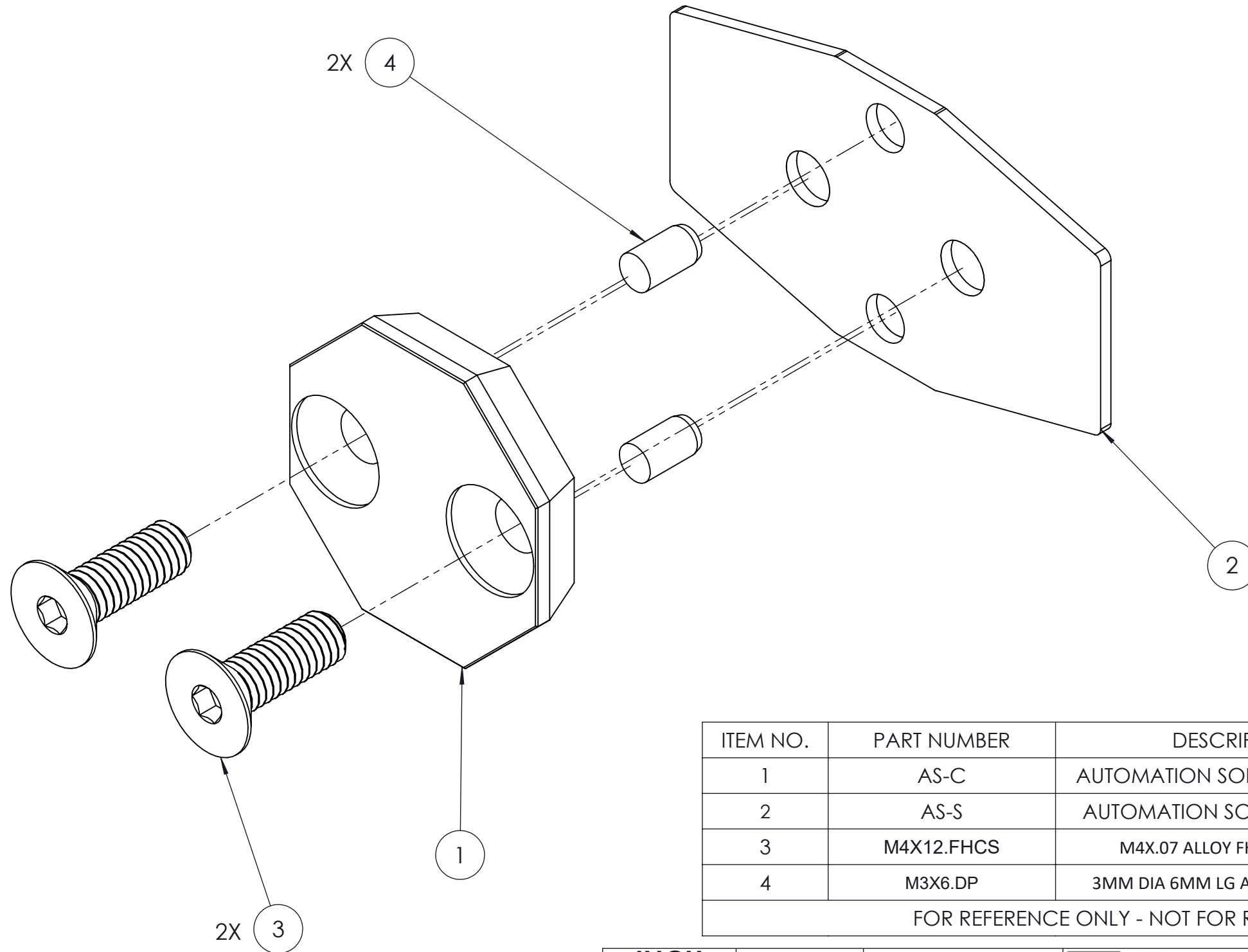


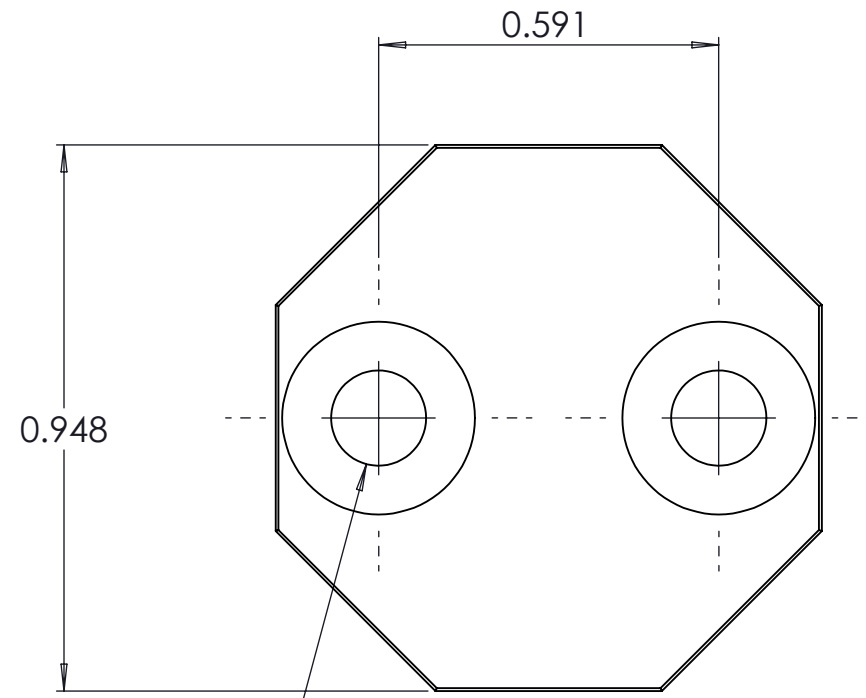
MATERIAL: REFER TO AS-C AMD AS-S DRAWING



ITEM NO.	PART NUMBER	DESCRIPTION	QTY.
1	AS-C	AUTOMATION SOLUTIONS, CLEAT	1
2	AS-S	AUTOMATION SOLUTIONS, SHIM	1
3	M4X12.FHCS	M4X.07 ALLOY FHCS 12MM LG	2
4	M3X6.DP	3MM DIA 6MM LG ALLOY DOWEL PIN	2
FOR REFERENCE ONLY - NOT FOR RESALE			

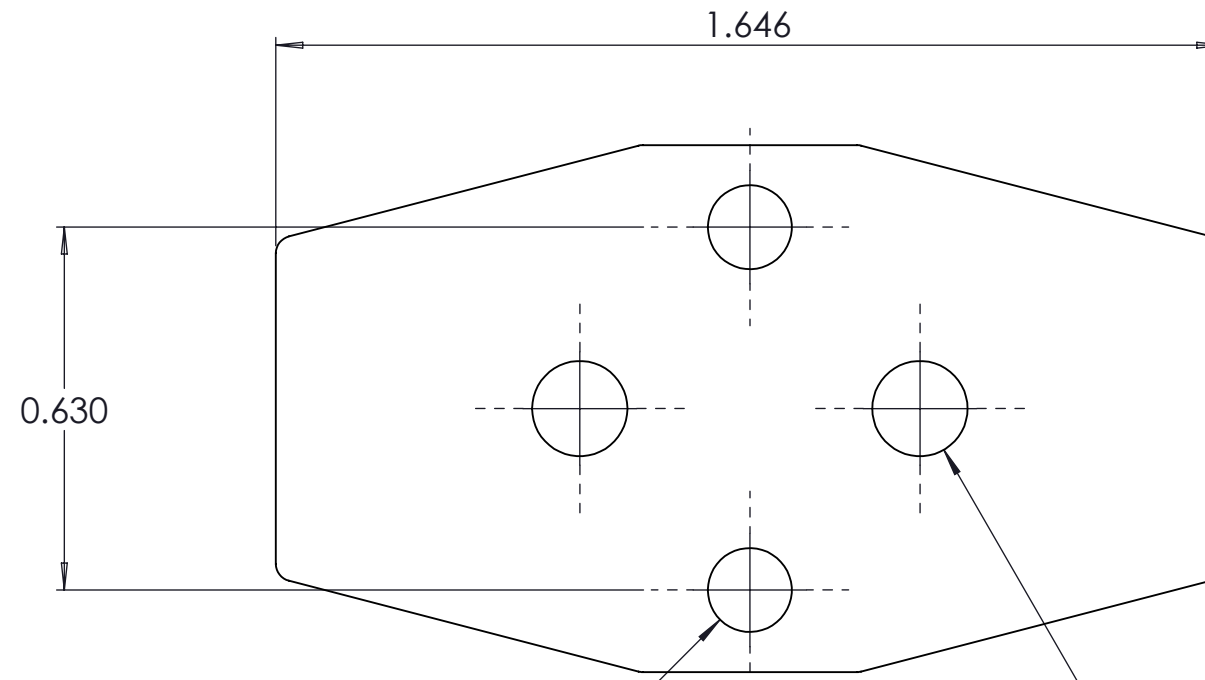
INCH <small>DRAWN IN ACCORDANCE WITH ASME Y14.5-2009</small> PROPRIETARY AND CONFIDENTIAL <small>THE INFORMATION CONTAINED IN THIS DRAWING IS THE SOLE PROPERTY OF FIFTH AXIS, INC. ANY REPRODUCTION IN PART OR AS A WHOLE WITHOUT THE WRITTEN PERMISSION OF FIFTH AXIS, INC. IS PROHIBITED.</small>	TOLERANCES <small>UNLESS OTHERWISE SPECIFIED</small> DECIMAL: X ± 0.05, XX ± 0.01, XXX ± 0.005 ANGLE: X ± 1°, X ± 0.5° SURFACE FINISH: THRID ANGLE PROJECTION:	APPROVALS DRAWN BY: J. SOLIS MANUFACTURING: QUALITY: FINAL:	 <small>WWW.FIFTHAXIS.COM 7140 ENGINEER ROAD SAN DIEGO, CA 92111 P (858) 505-0432 F (858) 505-9344</small>
	DESCRIPTION: AUTOMATION SOLUTIONS, TRANSPORT PLATE SIZE: B PART NO.: AG-C52 REV: A <small>DO NOT SCALE DRAWING SCALE 1:1 WEIGHT: SHEET 1 OF 2</small>		

MATERIAL: REFER TO AS-C AND AS-S DRAWING



AS-C

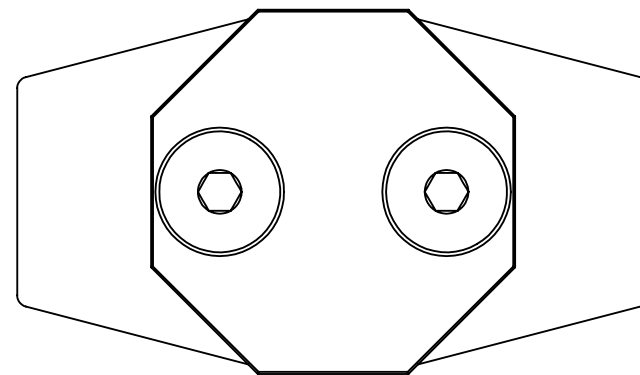
2 x \square ϕ 0.335 ∇ 0.020
 \sphericalangle ϕ 0.335 X 90°
 ϕ 0.165 THRU ALL



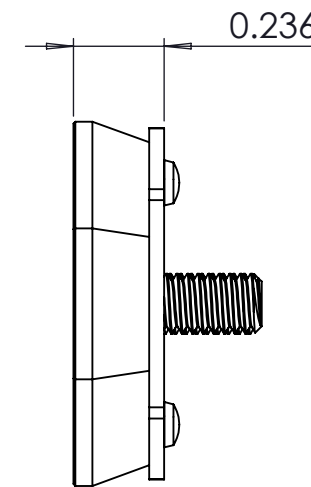
AS-S

ϕ 0.146 THRU

2 x ϕ 0.165 THRU ALL



AG-C52



INCH <small>DRAWN IN ACCORDANCE WITH ASME Y14.5-2009</small>	TOLERANCES <small>UNLESS OTHERWISE SPECIFIED</small>		APPROVALS			<small>WWW.FIFTHAXIS.COM</small> <small>7140 ENGINEER ROAD</small> <small>SAN DIEGO, CA 92111</small> <small>P (858) 505-0432 F (858) 505-9344</small>
	<small>DECIMAL</small> X ± 0.05 XX ± 0.01 XXX ± 0.005	<small>ANGLE</small> X ± 1° X ± 0.5°	<small>DRAWN BY</small> J. SOLIS	<small>MANUFACTURING</small>		
PROPRIETARY AND CONFIDENTIAL <small>THE INFORMATION CONTAINED IN THIS DRAWING IS THE SOLE PROPERTY OF FIFTH AXIS, INC. ANY REPRODUCTION IN PART OR AS A WHOLE WITHOUT THE WRITTEN PERMISSION OF FIFTH AXIS, INC. IS PROHIBITED.</small>	<small>THIRD ANGLE PROJECTION</small> 	<small>QUALITY</small> FINAL	<small>SIZE</small> B	<small>PART NO.</small> AG-C52	<small>REV</small> A	<small>DO NOT SCALE DRAWING</small>
				<small>SCALE</small> 5:1	<small>WEIGHT</small>	<small>SHEET</small> 2 OF 2