

8

7

6

5

4

3

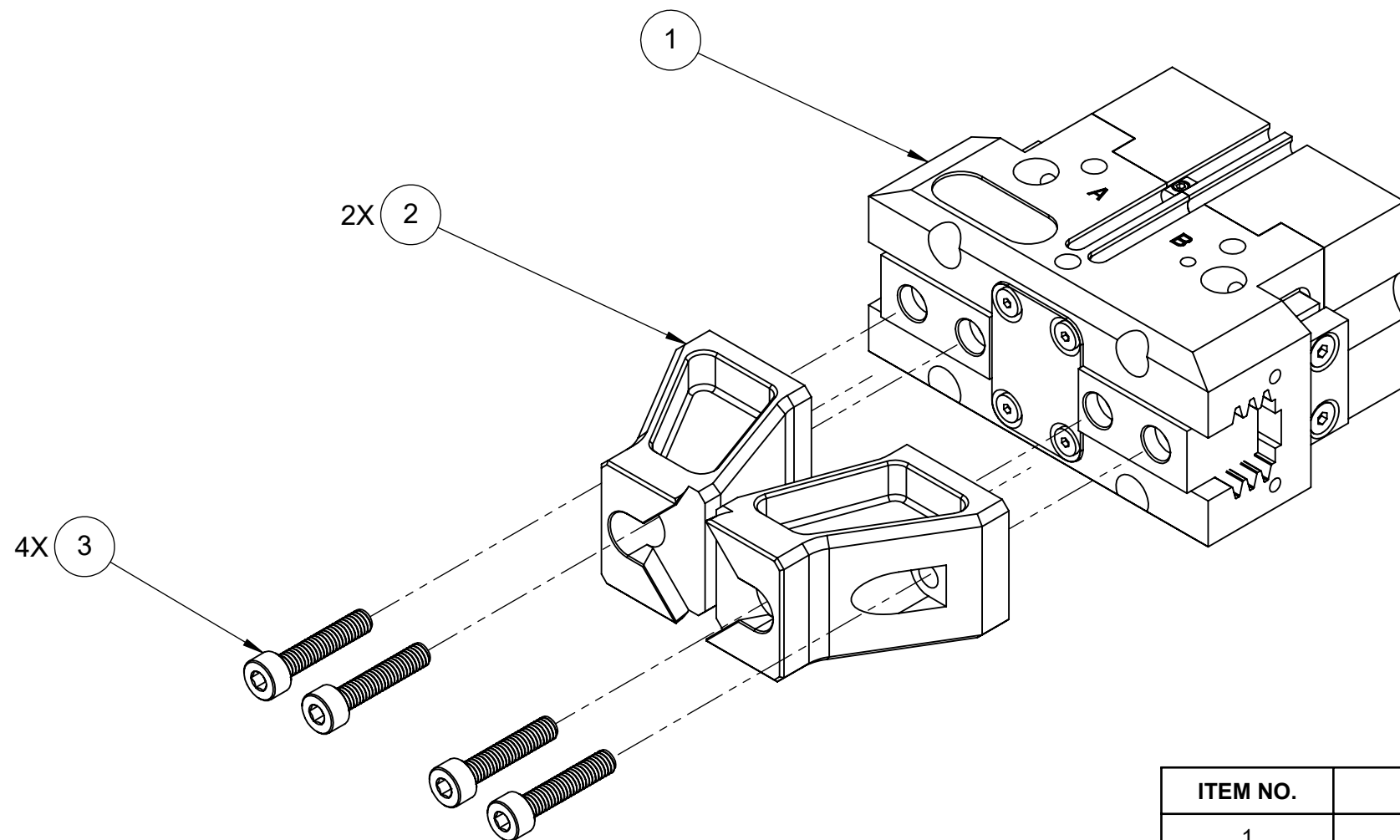
2

1

D

D

AG-12



| ITEM NO. | PART NUMBER | DESCRIPTION | QTY. |
|--|-------------|--|------|
| 1 | 0371093 | SCHUNK PGN-PLUS 64-2-AS | 1 |
| 2 | AS-52-1 | AUTOMATION SOLUTIONS, GRIPPER, 52MM, JAW | 2 |
| 3 | M4X20.SHCS | M4X.07 ALLOY STEEL SHCS 20MM LG | 4 |
| FOR REFERENCE ONLY - NOT FOR RESALE | | | |

B

B

A

A

| | | | | |
|---|--|---------------------------------|---|--------------------------------|
| MILLIMETER <small>DRAWN IN ACCORDANCE WITH ASME Y14.5-2009</small> <small>WWW.5THAXIS.COM</small> <small>7140 ENGINEER ROAD SAN DIEGO, CA 92111</small> <small>P (858) 505-0432 F (858) 505-9344</small> | TOLERANCES <small>UNLESS OTHERWISE SPECIFIED</small> x ± 0.1 .xx ± 0.01 .x ± 0.05 .xxx ± 0.005 ANGULAR ± 0.5° THIRD ANGLE PROJECTION | | | |
| | <small>DESCRIPTION</small> AUTOMATION SOLUTIONS, GRIPPER ASSEMBLY | <small>SIZE</small> B | <small>PART NO.</small> AS-52 | <small>REV</small> A |
| <small>DO NOT SCALE DRAWING</small> | | <small>SCALE 2:1</small> | <small>WEIGHT:</small> | <small>SHEET 1 OF 1</small> |

8

7

6

5

4

3

2

1