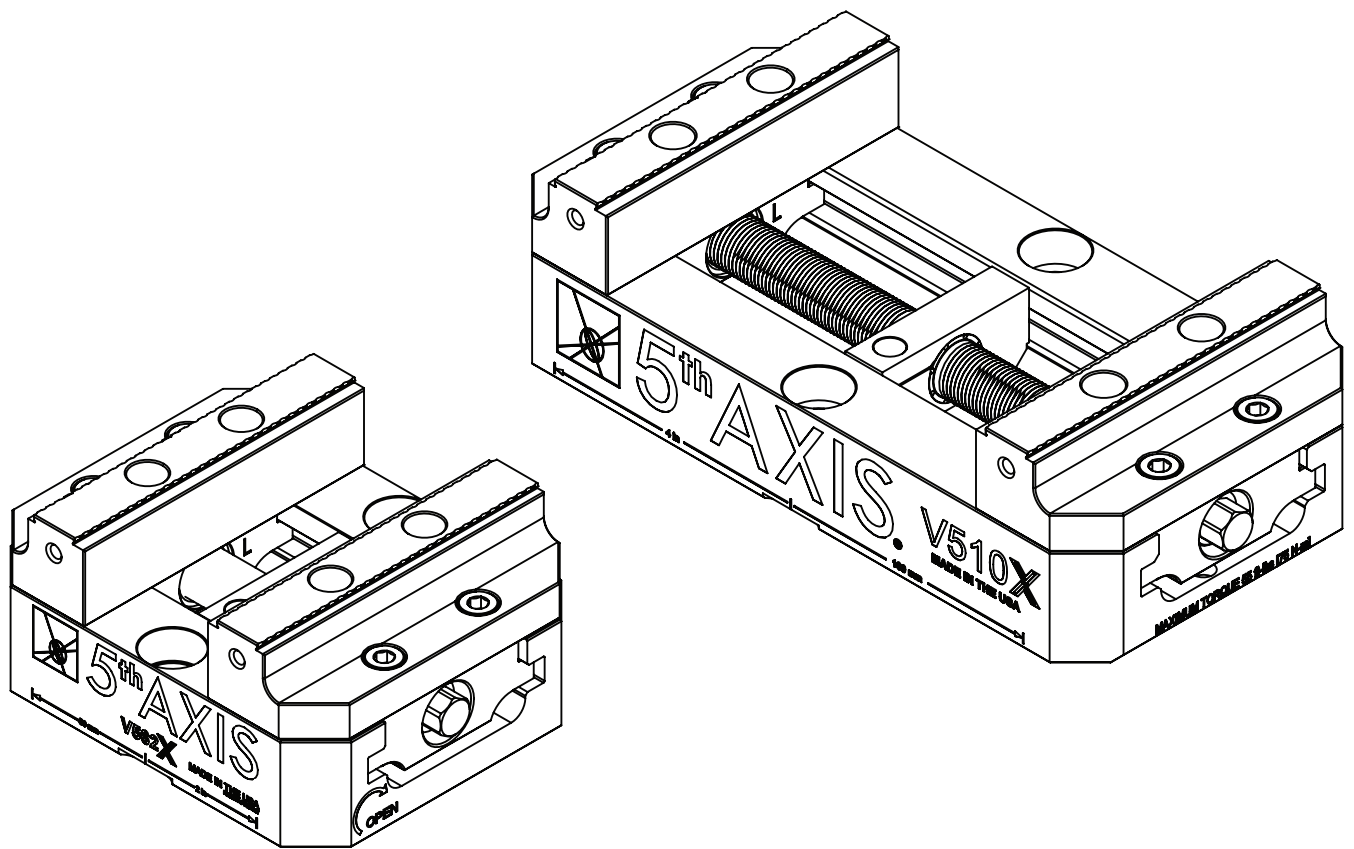




V562X + V510X FAQ SHEET



WORKHOLDING EVOLVED

| 5THAXIS.COM |



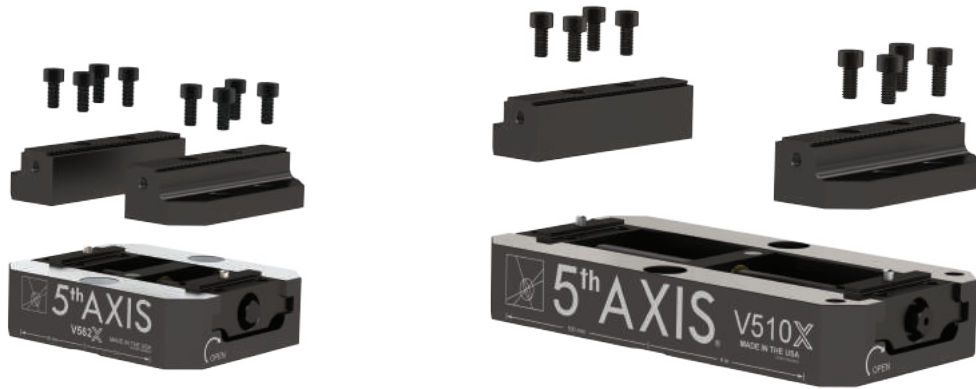
What changed?

The original V562 / V562M / V510M utilized a 2 Bolt SHCS jaw mounting and dowel pin configuration.

The next generation vises: V562X / V510X feature two major changes:

Keyed Truck and 4 Bolt SHCS Jaw.

The new updates increased the **clamping force by 30% + better overall rigidity** of the vise.



Common Questions

Is there a price increase?

No, there is no change to the price.

Can I still order the original V562 / V562M / V510M?

Yes, we will still continue to support the V562 / V562M / V510M but we recommend the updated X-series for increased clamping force and better rigidity.

Will I need to adjust existing programs for the original vise, do I need to change the Program?

The x-series vise jaws are wider in one direction, so the tools paths should be checked for clearance.

Does the X-series mount the same as the old version?

Yes, both vises can be direct mounted and mounted with RockLock quick change pull studs.

Is the overall height the same?

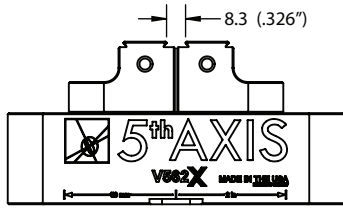
Yes.

Accessories

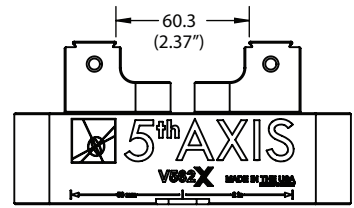
V562X / V510X new soft jaw part numbers : VAJ52X (Aluminum) VSJ52X (Steel)

Anti-lift soft jaw: AL52XA (Aluminum) AL52XS (Steel)

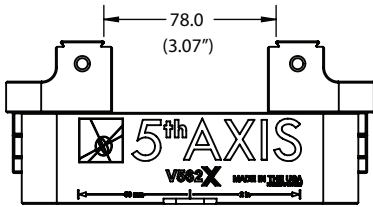
V562X clamping range



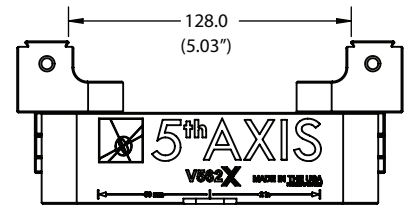
FORWARD JAWS (MINIMUM CLAMPING RANGE)



REVERSE JAWS (MINIMUM CLAMPING RANGE)

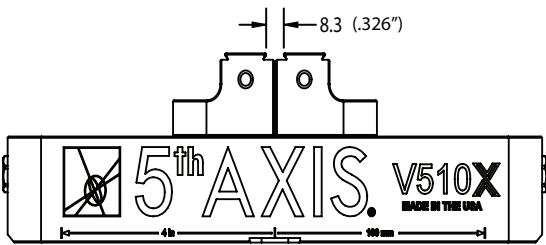


FORWARD JAWS (MAXIMUM CLAMPING RANGE)

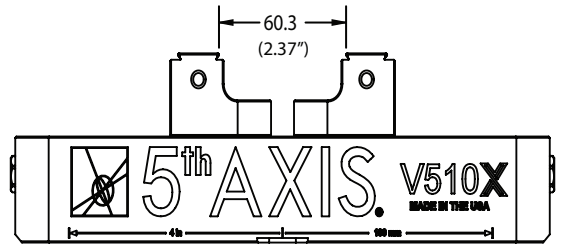


REVERSE JAWS (MAXIMUM CLAMPING RANGE)

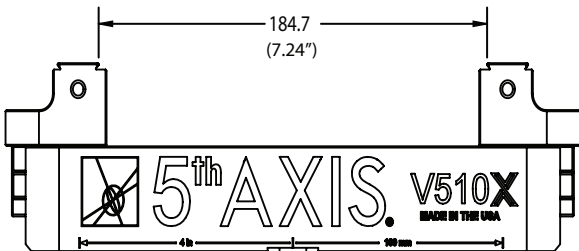
V510X clamping range



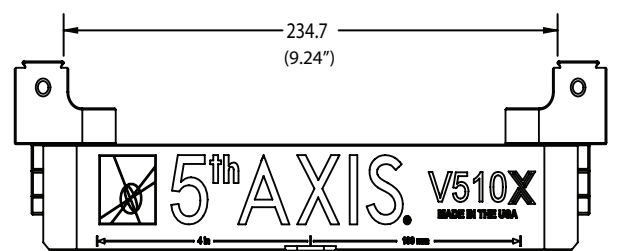
FORWARD JAWS (MINIMUM CLAMPING RANGE)



REVERSE JAWS (MINIMUM CLAMPING RANGE)



FORWARD JAWS (MAXIMUM CLAMPING RANGE)



REVERSE JAWS (MAXIMUM CLAMPING RANGE)