

8

7

6

5

4

3

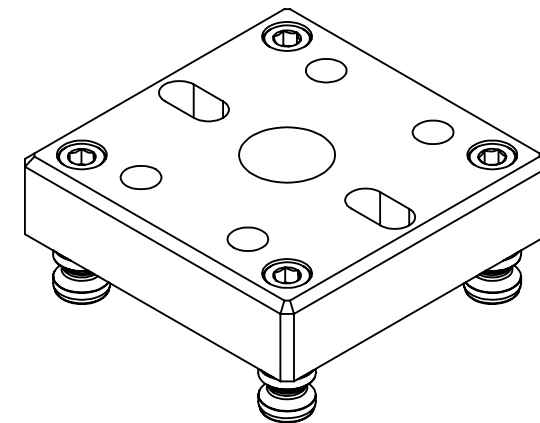
2

1

D

D

RL96-MP



C

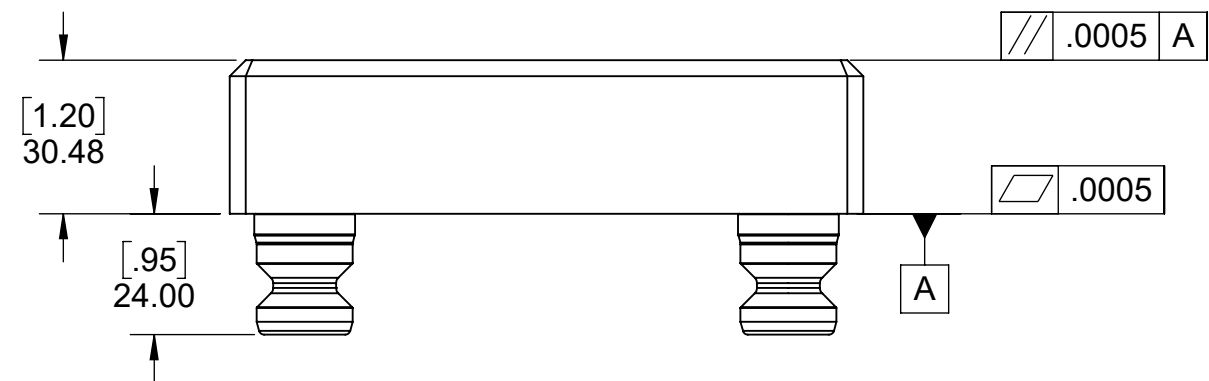
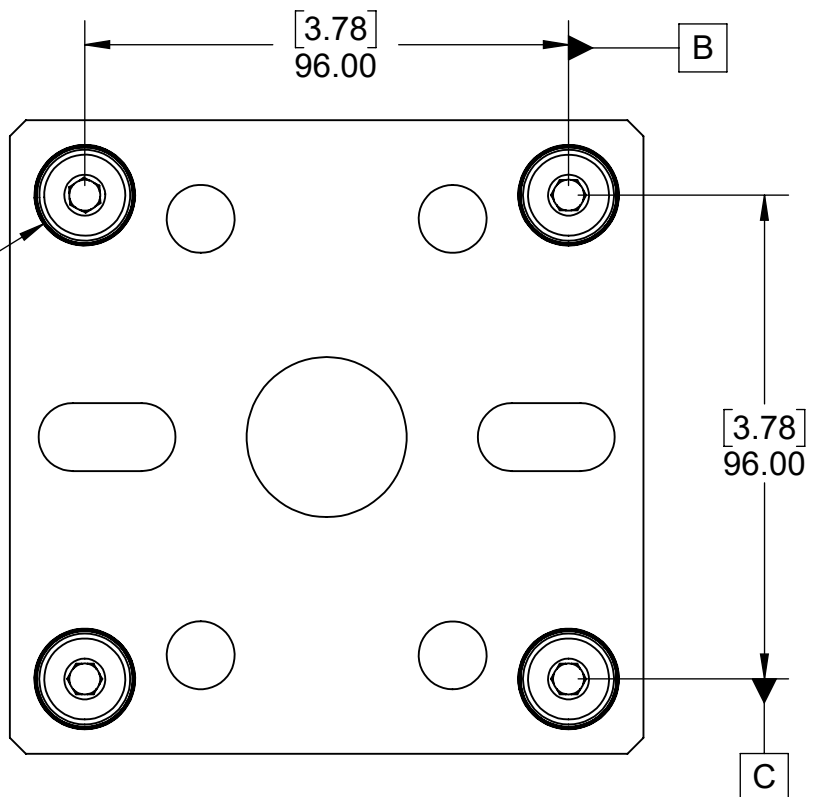
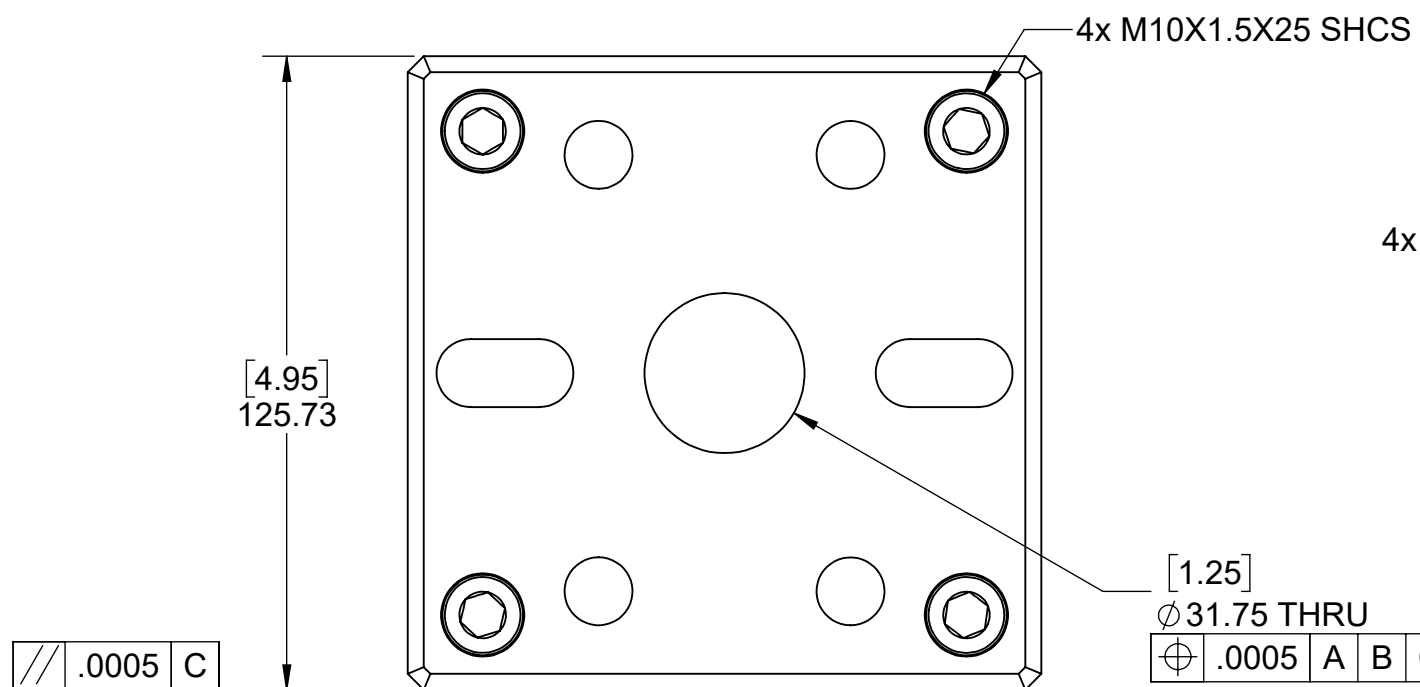
C

B

B

A

A



MILLIMETER <small>DRAWN IN ACCORDANCE WITH ASME Y14.5-2009</small> WWW.5THAXIS.COM 7140 ENGINEER ROAD SAN DIEGO, CA 92111 P (858) 505-0432 F (858) 505-9344	TOLERANCES <small>UNLESS OTHERWISE SPECIFIED</small> x ± 0.1 .xx ± 0.01 .x ± 0.05 .xxx ± 0.005 ANGULAR ± 0.5° THIRD ANGLE PROJECTION			
	DESCRIPTION ROCKLOCK™ 96MM MASTER PALLET	SIZE B	PART NO. RL96-MP	REV A
DO NOT SCALE DRAWING		SCALE 1:1	WEIGHT:	SHEET 1 OF 1

8

7

6

5

4

3

2

1